

Comparing - In the Pumpkin Patch

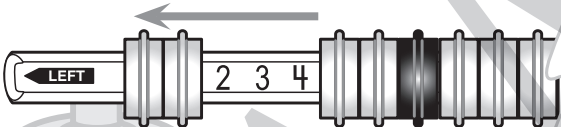


Rocky Raccoon and Betsy Bear each planted pumpkins in their gardens. Rocky was sure he had more pumpkins. Betsy was sure she had more pumpkins. They realized they could find out who had more, who had less, or if they both had the same number by comparing the number of pumpkins they each had.

Rocky counted his pumpkins. He had 5 pumpkins. Betsy counted hers, and she had 6 pumpkins. Did they both have the same number of pumpkins? Who had more pumpkins? Who had less pumpkins?

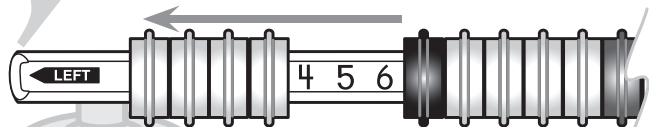
Warm Up

a Count and move 2 rings.



Write the number. _____

b Now find 4 on the MathLine.

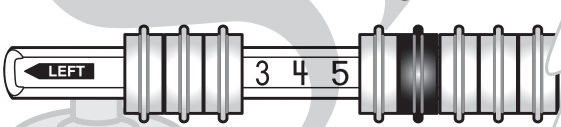


Write the number. _____

c Which is *greater*, 2 or 4? Circle the answer. 2 4

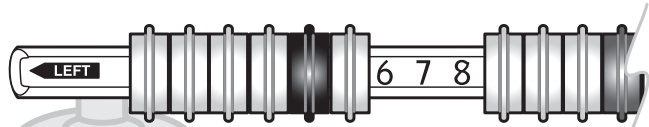
Activities

a Count and move 3 rings.



Write the number. _____

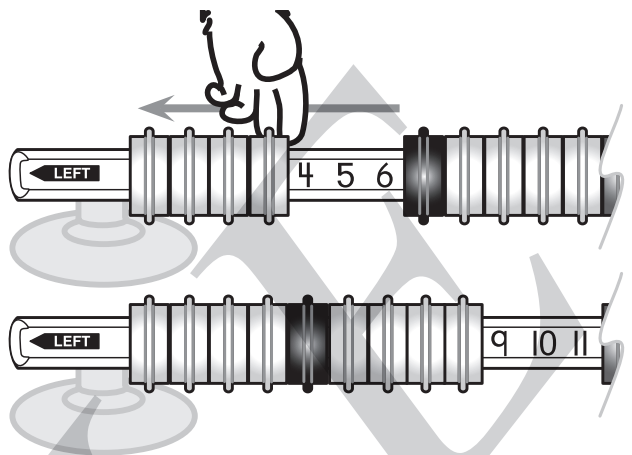
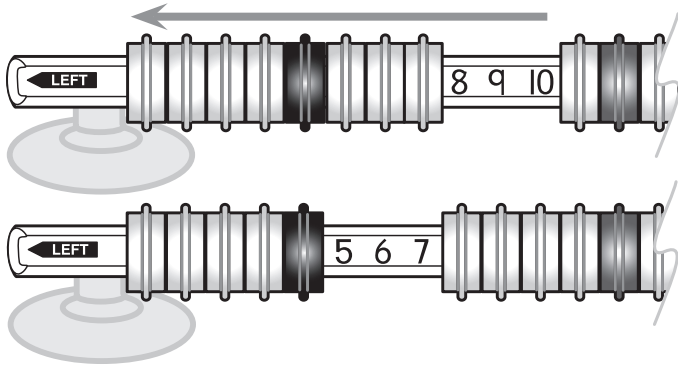
b Now find 6 on the MathLine.



Write the number. _____

c Which is *less*, 3 or 6? Circle the answer. 3 6

Activities (continued)



d Count and move 8 rings.
Now find 5 on the MathLine.
Which is *more*? _____

e Count and move 4 rings.
Now find 9 on the MathLine.
Which group of rings is *less*?

Circle the answer. 4 9

Challenge

a Count and move 14 rings.
Now find 11.
Which group is greater?

Circle the answer. 14 11

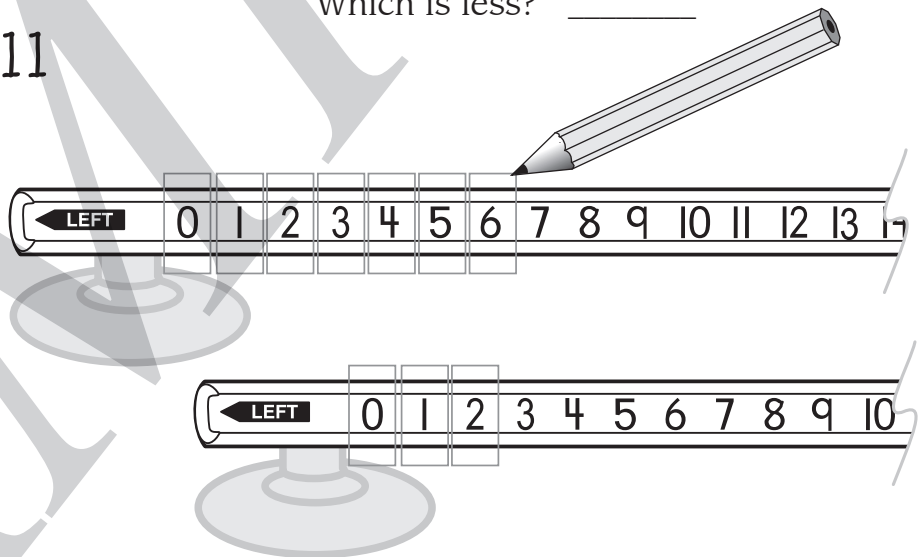
b Count and move 6 rings.
Now find 10.
Which is less? _____

c Count and move 7 rings.
Draw them on the MathLine.

Count and move 3 rings.
Draw them on the MathLine.

Which is greater?
Circle the answer.

3 7



d Use the MathLine to solve the story problem at the beginning of the lesson.

Did Betsy Bear and Rocky Raccoon have the same number of pumpkins?

Circle the answer. yes no

Who had more pumpkins?

Who had less pumpkins?

